

SIMPLEX BIG 1B

PARTS WASHERS WITH ROTARY BASKET, PLC AND TOUCHSCREEN

Simplex Big is a system ideal for the automatic washing of medium and large size mechanical parts. The washing is carried out by the action of upper, lower and side jets. The slow rotation of the platform is ensured by a gear motor with a torque limiter. A PLC and touchscreen display management enables numberless customisations thanks to a wide range of accessories.



- SIMPLEX BIG 1B 1000
- SIMPLEX BIG 1B 1200
- SIMPLEX BIG 1B 1400
- SIMPLEX BIG 1B 1800
- SIMPLEX BIG 1B 2200

VERSION

Electric, LT, maximum adjustable temperature at 60°C
Electric, HT, maximum adjustable temperature at 80°C

SUPPLY VOLTAGE

400V 3PH+N+T 50 HZ (and more on demand)

EQUIPMENT

What is included in all Simplex Big machines

- Timed steam extraction
- Two-hand safety control for the door closing
- External trolley in stainless steel AISI 304 with drip-catcher, wheels and safety brakes
- ISO pneumatic cylinders and “anti-fall” pneumatic safety valves
- Electric pump in stainless steel AISI 304 with special Gaskets
- Filter in stainless steel AISI 304 on the pump suction
- Tank liquid minimum level control for the protection of pump and resistor
- Tank liquid maximum level control and solenoid valve for automatic water intake
- Gear motor for basket rotation with torque limiter and centering sensor
- Electrical resistors in stainless steel Incoloy
- Safety limit switch on the door opening
- IP 65 electric system with PLC (DGT V4)
- Stainless steel structure and plates in contact with the liquid
- Lower load-bearing structure in galvanized steel
- Triple door Gasket (lower, upper and side)
- Reinforced basket in pressed grating with raised external edge in galvanized iron
- Fixed and laser-drilled upper, lower and side washing (and blowing) pipes in stainless steel AISI 304 (more pressure, less maintenance)
- Sludge discharging door for an easy tank cleaning

What HT version offers

- Overall thermal insulation with panels in stainless steel AISI 430

What are the additional accessories

- Increased washing height
- Resistor and blower drying [E] [1]
- Additional external trolley [2]
- Centrifugal steam condenser [3]
- Additional stainless steel platform [4]
- Additional galvanized steel platform
- Thermal insulation of bag filter
- Automatic liquid detergent dispenser during washing [5]
- Disc oil separator with gear motor [6]
- External pneumatic oil separator - HT [7]
- Bag filter on washing pump [B] [8]
- Manual washing, pump external commands and rotation [9]
- Kit for use with abrasive contaminants
- Kit for use with strongly caustic chemical products
- Increased loading capacity to 1,000 kg [F]
- High pressure washing pump
- Platform and spider in stainless steel AISI 304
- Panels under the platform [A]
- External platform with hydraulic elevator, MIN H 30 cm [10]

- Heating with diesel or natural Gas burner [A] [11]
- Retention tank [12]
- Rinsing by water supply and direct drain outlet
- Compressed air blowing [E]
- Internal welding bleaching
- Fixed external station (instead of the trolley) [13]
- Removable edges for grating in stainless steel, H 200 mm [14]
- Tank emptying pump [15]
- Pipes with blade-nozzle in stainless steel
- Double loading/unloading station [D]
- Double loading/unloading station with stainless steel platforms [D] [16]

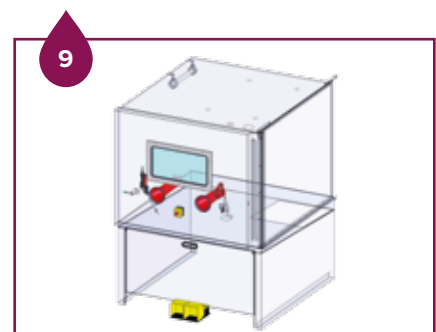
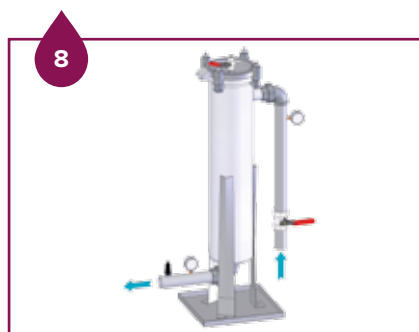
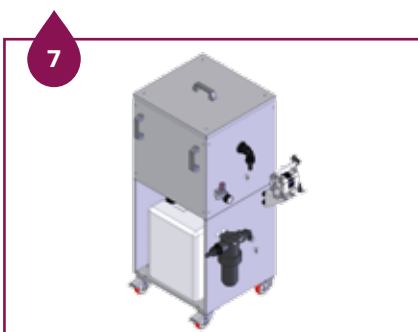
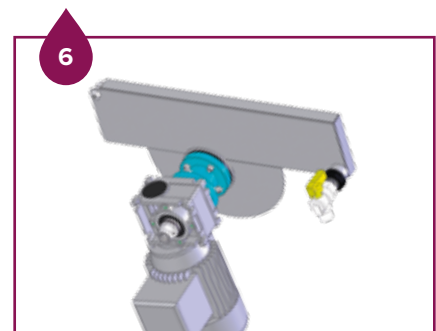
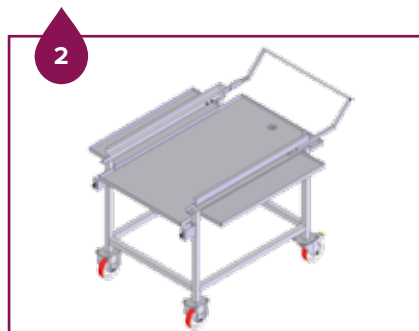
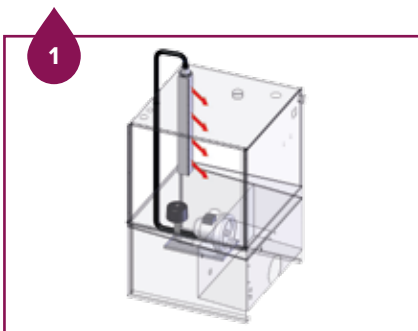
[A] Not available for 2-bath models

[B] Thermal insulation of bag filter in the HT version compulsory

[D] Washing height reduced by 130 mm

[E] Panels under the basket compulsory for 1 bath models

[F] A stainless steel platform is compulsory



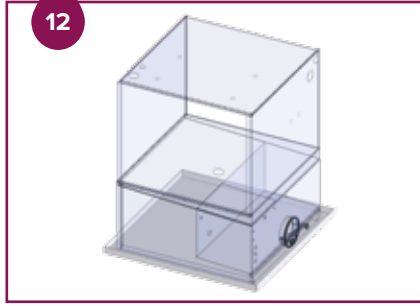
10



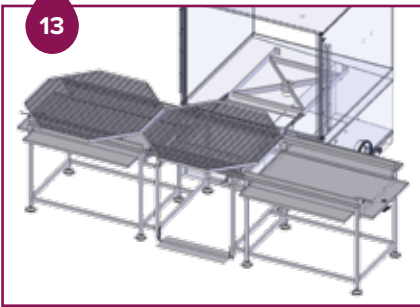
11



12



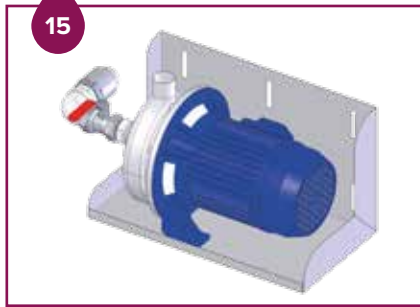
13



14



15



16



SIMPLEX BIG 1B

28



COMPLETENESS
COMPLETENESS

TECHNICAL DATA

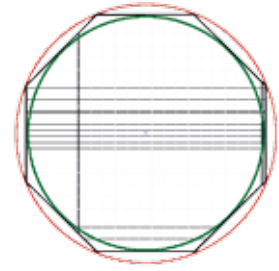
TECHNICAL DATA	BIG 1B 1000	BIG 1B 1200	BIG 1B 1400	BIG 1B 1800	BIG 1B 2200
Closed machine overall dimensions (L x P x H)	165 x 260 x 200 cm	185 x 300 x 210 cm	205 x 330 x 220 cm	240 x 395 x 235 cm	285 x 480 x 240 cm
Opened machine overall dimensions (L x P x H)	165 x 260 x 275 cm	185 x 300 x 315 cm	205 x 330 x 315 cm	240 x 395 x 340 cm	285 x 480 x 345 cm
Washing capacity (Ø x H)	90 x 70 cm	110 x 80 cm	128 x 90 cm	165 x 100 cm	200 x 100 cm
Basket load capacity	600 kg	600 kg	600 kg	800 kg	800 Kg
Tank capacity	280 lt	350 lt	500 lt	700 lt	1000 lt
Washing pump	3,0 kW 2,5 bar 300 lt/min	3,0 kW 2,5 bar 350 lt/min	3,0 kW 2,5 bar 400 lt/min	3,0 kW 2,5 bar 450 lt/min	3,0 kW 2,5 bar 500 lt/min
High pressure washing pump	5,5 kW 4,5 bar 300 lt/min	5,5 kW 4,5 bar 350 lt/min	5,5 kW 4,5 bar 400 lt/min	7,5 kW 4,5 bar 450 lt/min	7,5 kW 4,5 bar 500 lt/min
Washing heating	10,0 kW	12,0 kW	18,0 kW	30,0 kW	40,0 kW
Mechanical rotation	0,18 kW	0,18 kW	0,18 kW	0,18 kW	0,18 kW
Steam extractor	0,25 kW 320 Nm ³ /h	0,25 kW 320 Nm ³ /h	0,37 kW 580 Nm ³ /h	0,37 kW 580 Nm ³ /h	2 x 0,37 kW 1160 Nm ³ /h
Disc oil separator	0,09 kW	0,09 kW	0,09 kW	0,09 kW	0,09 kW
Blowing (air consumption at 4 bar)	250 m ³ h	300 m ³ h	350 m ³ h	400 m ³ h	500 m ³ h
Heating with diesel or natural Gas burner	0,17 kW	0,17 kW	0,17 kW	0,17 kW	0,17 kW
Steam condenser	0,20 kW	0,20 kW	0,48 kW	0,48 kW	0,48 kW
Tank emptying pump	0,37 kW	0,37 kW	0,37 kW	0,37 kW	0,37 kW
Drying by resistors	5,2 kW	5,2 kW	5,2 kW	8,2 kW	8,2 kW
Supply	3PH+N+PE	3PH+N+PE	3PH+N+PE	3PH+N+PE	3PH+N+PE
Number of nozzles	49	56	66	81	93

CONNECTIONS

TYPE	BIG 1B 1000 - 1200	BIG 1B 1400 - 1800	BIG 1B 2200
Steam drain outlet	Ø 80 mm	Ø 100 mm	2 x Ø 100 mm
Tank drain outlet	F 1" 1/4 Gas	F 1" 1/4 Gas	F 1" 1/4 Gas
Water filling solenoid valve	F 3/4" Gas	F 3/4" Gas	F 3/4" Gas
Oil separator drain outlet	M 1/2" Gas	M 1/2" Gas	M 1/2" Gas
Compressed air intake	F 1/4" Gas	F 1/4" Gas	F 1/4" Gas
Compressed air blowing solenoid valve	F 1" Gas	F 1" Gas	F 1" Gas
Tank emptying pump	F 1" 1/4 Gas	F 1" 1/4 Gas	F 1" 1/4 Gas
Burner flue natural Gas/Gas	Ø 130 mm	Ø 130 mm	Ø 130 mm
Upper vent	Ø 130 mm	Ø 130 mm	Ø 130 mm

PLATFORM

MODEL	USEFUL (green line)	MAXIMUM (red line)
1000	Ø 90 cm	Ø 100 cm
1200	Ø 110 cm	Ø 120 cm
1400	Ø 128 cm	Ø 140 cm
1800	Ø 165 cm	Ø 180 cm
2200	Ø 200 cm	Ø 220 cm



DIMENSIONS

DIMENSIONS	BIG 1B 1000	BIG 1B 1200	BIG 1B 1400	BIG 1B 1800	BIG 1B 2200
L (width)	165 cm	195 cm	205 cm	240 cm	285 cm
P (depth)	260 cm	300 cm	330 cm	395 cm	480 cm
H (height)	275 cm	295 cm	315 cm	340 cm	345 cm
DL (washing diameter)	90 cm	110 cm	128 cm	165 cm	200 cm
HL (washing height)	70 cm	80 cm	90 cm	100 cm	100 cm
AC (loading height)	95 cm	95 cm	95 cm	95 cm	95 cm
PV (tank depth)	135 cm	155 cm	175 cm	210 cm	255 cm
HV (tank height)	200 cm	210 cm	220 cm	235 cm	240 cm

